

# NEW DELTROL

*fluid products*

DIVISION OF DELTROL CORP



## LFC, LFV, AND LNB SERIES

Miniature Flow Controls and Needle Valves

## MBV SERIES

Miniature Ball Valves

# INTRODUCING

## LFC, LFV, AND LNB SERIES

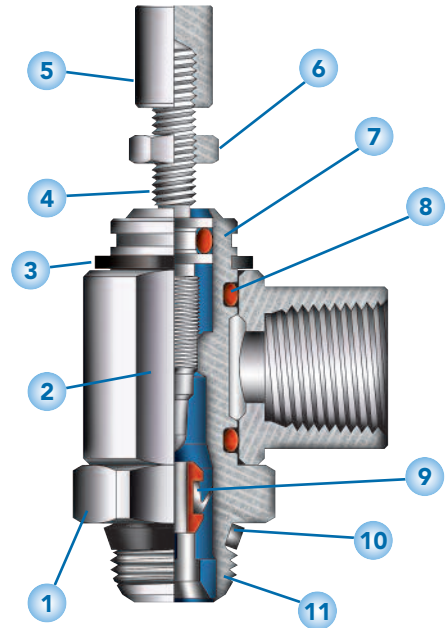
### Miniature Flow Controls and Needle Valves

The LFC and LFV Series Flow Controls are designed to allow controlled flow either into or out of the component.

The LNB Series Needle Valve provides a wide range of adjustment in both directions.

Pressure Range: 15–145 PSI  
Temperature Range: 0°–160°F  
Media: Air/Water  
Sizes: Inch and Metric

|           |                  |                     |
|-----------|------------------|---------------------|
| <b>1</b>  | Body             | Nickel Plated Brass |
| <b>2</b>  | Banjo Body       | Nickel Plated Brass |
| <b>3</b>  | Shaft Clip       | Stainless Steel     |
| <b>4</b>  | Adjusting Needle | Nickel Plated Brass |
| <b>5</b>  | Adjusting Knob   | Nickel Plated Brass |
| <b>6</b>  | Locking Nut      | Nickel Plated Brass |
| <b>7</b>  | O-Ring           | NBR-70              |
| <b>8</b>  | O-Ring           | NBR-70              |
| <b>9</b>  | Lip Seal         | NBR-70              |
| <b>10</b> | Thread Seal      | NBR-70              |
| <b>11</b> | Seal Support     | NBR-70              |

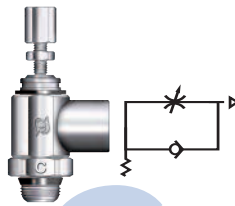


#### SWIFT-FIT UNIVERSAL THREAD SYSTEM

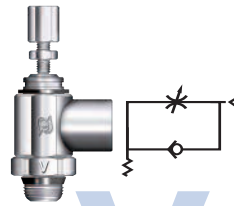
The Swift-Fit Universal Thread System allows a wide range of application compatibility. For example, the 1/8" Swift-Fit Thread is compatible with 1/8" NPT, 1/8" NPTF, 1/8" BSPT, 1/8" BSPP, RC 1/8", and G 1/8" Threads.



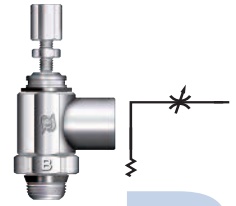
The fittings are designed with a lip type seal for exceptional sealing in both pressure and vacuum applications. The thread system will also allow sealing on inclined, concave, and convex surfaces.



**SERIES LFC (C)**  
Controlled Flow Out



**SERIES LFV (V)**  
Controlled Flow In



**SERIES LNB (B)**  
Needle Valve—  
Bi-Directional Flow

# INTRODUCING

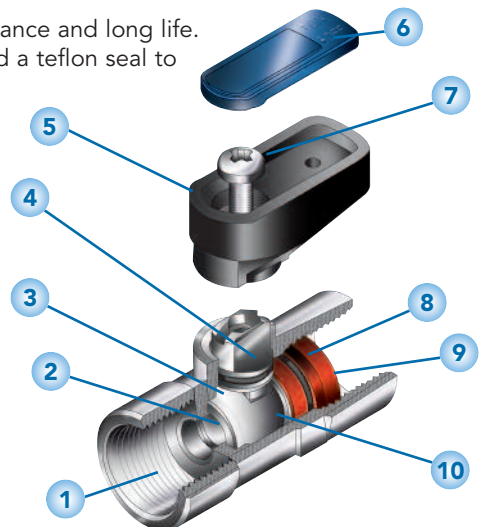
## MBV SERIES

### Miniature Ball Valves

The Mini Ball Valve body is made of chrome plated brass for corrosion resistance and long life. The valve is designed with a captured stem for blow out proof operation and a teflon seal to accommodate a variety of fluids and gases.

Pressure Range: 0–250 PSI  
Pipe Sizes: 1/8", 1/4", 3/8", 1/2" NPTF  
Temperature Range: 0°–160°F  
Media: Air, Water, Gas

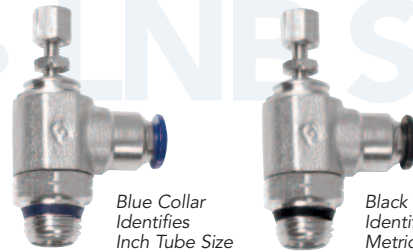
|           |                    |                     |
|-----------|--------------------|---------------------|
| <b>1</b>  | Body               | Chrome Plated Brass |
| <b>2</b>  | Ball Seats         | Teflon              |
| <b>3</b>  | Stem Seal          | NBR-70              |
| <b>4</b>  | Stem               | Chrome Plated Brass |
| <b>5</b>  | Handle             | Glass Filled Nylon  |
| <b>6</b>  | Handle Plate       | Nylon               |
| <b>7</b>  | Handle Screw       | Plated Steel        |
| <b>8</b>  | Ball Retainer Seal | NBR-70              |
| <b>9</b>  | Ball Retainer      | Chrome Plated Brass |
| <b>10</b> | Ball               | Chrome Plated Brass |



# LFC • LFV • LNB SERIES

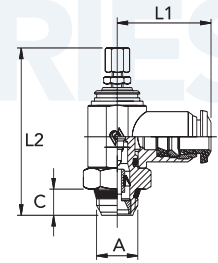
## Tube Interface Knob Adjustment

Inch • Metric Tube Valve  
With Knob Adjustment



Blue Collar  
Identifies  
Inch Tube Size

Black Collar  
Identifies  
Metric Tube Size

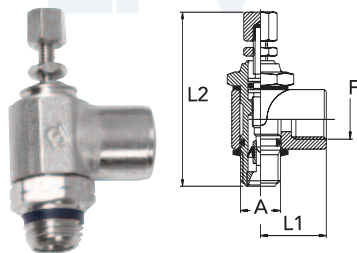


| MODEL CODE | FUNC | A          | TUBE OD | C    | L1   | L2 min | L2 max | MODEL CODE | FUNC | A          | TUBE OD | C    | L1   | L2 min | L2 max |
|------------|------|------------|---------|------|------|--------|--------|------------|------|------------|---------|------|------|--------|--------|
| LFCU32TAK  | C    | 10-32UNC   | 1/8"    | 0.22 | 0.75 | 1.30   | 1.47   | LFCS20TCK  | C    | 1/4" SWIFT | 1/4"    | 0.27 | 0.98 | 1.85   | 2.08   |
| LFVU32TAK  | V    | 10-32UNC   | 1/8"    | 0.22 | 0.75 | 1.30   | 1.47   | LFVS20TCK  | V    | 1/4" SWIFT | 1/4"    | 0.27 | 0.98 | 1.85   | 2.08   |
| LNBU32TAK  | B    | 10-32UNC   | 1/8"    | 0.22 | 0.75 | 1.30   | 1.47   | LNBS20TCK  | B    | 1/4" SWIFT | 1/4"    | 0.27 | 0.98 | 1.85   | 2.08   |
| LFCU32TBK  | C    | 10-32UNC   | 5/32"   | 0.22 | 0.75 | 1.30   | 1.47   | LFCS20TEK  | C    | 1/4" SWIFT | 3/8"    | 0.29 | 1.18 | 2.21   | 2.48   |
| LFVU32TBK  | V    | 10-32UNC   | 5/32"   | 0.22 | 0.75 | 1.30   | 1.47   | LFVS20TEK  | V    | 1/4" SWIFT | 3/8"    | 0.29 | 1.18 | 2.21   | 2.48   |
| LNBU32TBK  | B    | 10-32UNC   | 5/32"   | 0.22 | 0.75 | 1.30   | 1.47   | LNBS20TEK  | B    | 1/4" SWIFT | 3/8"    | 0.29 | 1.18 | 2.21   | 2.48   |
| LFCM05TGK  | C    | M5         | 3mm     | 0.16 | 0.75 | 1.30   | 1.47   | LFCS20TJK  | C    | 1/4" SWIFT | 5mm     | 0.27 | 0.98 | 1.85   | 2.08   |
| LFVM05TGK  | V    | M5         | 3mm     | 0.16 | 0.75 | 1.30   | 1.47   | LFVS20TJK  | V    | 1/4" SWIFT | 5mm     | 0.27 | 0.98 | 1.85   | 2.08   |
| LNBM05TGK  | B    | M5         | 3mm     | 0.16 | 0.75 | 1.30   | 1.47   | LNBS20TJK  | B    | 1/4" SWIFT | 5mm     | 0.27 | 0.98 | 1.85   | 2.08   |
| LFCM05THK  | C    | M5         | 4mm     | 0.16 | 0.75 | 1.30   | 1.47   | LFCS20TKK  | C    | 1/4" SWIFT | 6mm     | 0.27 | 0.98 | 1.85   | 2.08   |
| LFVM05THK  | V    | M5         | 4mm     | 0.16 | 0.75 | 1.30   | 1.47   | LFVS20TKK  | V    | 1/4" SWIFT | 6mm     | 0.27 | 0.98 | 1.85   | 2.08   |
| LNBM05THK  | B    | M5         | 4mm     | 0.16 | 0.75 | 1.30   | 1.47   | LNBS20TKK  | B    | 1/4" SWIFT | 6mm     | 0.27 | 0.98 | 1.85   | 2.08   |
| LFCM05TJK  | C    | M5         | 5mm     | 0.16 | 0.79 | 1.30   | 1.47   | LFCS20TLK  | C    | 1/4" SWIFT | 8mm     | 0.27 | 1.02 | 1.85   | 2.08   |
| LFVM05TJK  | V    | M5         | 5mm     | 0.16 | 0.79 | 1.30   | 1.47   | LFVS20TLK  | V    | 1/4" SWIFT | 8mm     | 0.27 | 1.02 | 1.85   | 2.08   |
| LNBM05TJK  | B    | M5         | 5mm     | 0.16 | 0.79 | 1.30   | 1.47   | LNBS20TLK  | B    | 1/4" SWIFT | 8mm     | 0.27 | 1.02 | 1.85   | 2.08   |
| LFCM05TKK  | C    | M5         | 6mm     | 0.16 | 0.81 | 1.30   | 1.47   | LFCS25TEK  | C    | 3/8" SWIFT | 3/8"    | 0.29 | 1.18 | 2.21   | 2.48   |
| LFVM05TKK  | V    | M5         | 6mm     | 0.16 | 0.81 | 1.30   | 1.47   | LFVS25TEK  | V    | 3/8" SWIFT | 3/8"    | 0.29 | 1.18 | 2.21   | 2.48   |
| LNBM05TKK  | B    | M5         | 6mm     | 0.16 | 0.81 | 1.30   | 1.47   | LNBS25TEK  | B    | 3/8" SWIFT | 3/8"    | 0.29 | 1.18 | 2.21   | 2.48   |
| LFCU10TAK  | C    | 1/8" SWIFT | 1/8"    | 0.22 | 0.83 | 1.61   | 1.83   | LFCS25TFK  | C    | 3/8" SWIFT | 1/2"    | 0.29 | 1.28 | 2.21   | 2.48   |
| LFVU10TAK  | V    | 1/8" SWIFT | 1/8"    | 0.22 | 0.83 | 1.61   | 1.83   | LFVS25TFK  | V    | 3/8" SWIFT | 1/2"    | 0.29 | 1.28 | 2.21   | 2.48   |
| LNBU10TAK  | B    | 1/8" SWIFT | 1/8"    | 0.22 | 0.83 | 1.61   | 1.83   | LNBS25TFK  | B    | 3/8" SWIFT | 1/2"    | 0.29 | 1.28 | 2.21   | 2.48   |
| LFCU10TBK  | C    | 1/8" SWIFT | 5/32"   | 0.22 | 0.83 | 1.61   | 1.83   | LFCS25TMK  | C    | 3/8" SWIFT | 10mm    | 0.29 | 1.18 | 2.21   | 2.48   |
| LFVU10TBK  | V    | 1/8" SWIFT | 5/32"   | 0.22 | 0.83 | 1.61   | 1.83   | LFVS25TMK  | V    | 3/8" SWIFT | 10mm    | 0.29 | 1.18 | 2.21   | 2.48   |
| LNBU10TBK  | B    | 1/8" SWIFT | 5/32"   | 0.22 | 0.83 | 1.61   | 1.83   | LNBS25TMK  | B    | 3/8" SWIFT | 10mm    | 0.29 | 1.18 | 2.21   | 2.48   |
| LFCU10TCK  | C    | 1/8" SWIFT | 1/4"    | 0.22 | 0.86 | 1.61   | 1.83   | LFCS25TNK  | C    | 3/8" SWIFT | 12mm    | 0.29 | 1.28 | 2.21   | 2.48   |
| LFVU10TCK  | V    | 1/8" SWIFT | 1/4"    | 0.22 | 0.86 | 1.61   | 1.83   | LFVS25TNK  | V    | 3/8" SWIFT | 12mm    | 0.29 | 1.28 | 2.21   | 2.48   |
| LNBU10TCK  | B    | 1/8" SWIFT | 1/4"    | 0.22 | 0.86 | 1.61   | 1.83   | LNBS25TNK  | B    | 3/8" SWIFT | 12mm    | 0.29 | 1.28 | 2.21   | 2.48   |
| LFCU10THK  | C    | 1/8" SWIFT | 4mm     | 0.22 | 0.83 | 1.61   | 1.83   | LFCS30TFK  | C    | 1/2" SWIFT | 1/2"    | 0.35 | 1.38 | 2.40   | 2.71   |
| LFVU10THK  | V    | 1/8" SWIFT | 4mm     | 0.22 | 0.83 | 1.61   | 1.83   | LFVS30TFK  | V    | 1/2" SWIFT | 1/2"    | 0.35 | 1.38 | 2.40   | 2.71   |
| LNBU10THK  | B    | 1/8" SWIFT | 4mm     | 0.22 | 0.83 | 1.61   | 1.83   | LNBS30TFK  | B    | 1/2" SWIFT | 1/2"    | 0.35 | 1.38 | 2.40   | 2.71   |
| LFCU10TJK  | C    | 1/8" SWIFT | 5mm     | 0.22 | 0.85 | 1.61   | 1.83   | LFCS30TNK  | C    | 1/2" SWIFT | 12mm    | 0.35 | 1.38 | 2.40   | 2.71   |
| LFVU10TJK  | V    | 1/8" SWIFT | 5mm     | 0.22 | 0.85 | 1.61   | 1.83   | LFVS30TNK  | V    | 1/2" SWIFT | 12mm    | 0.35 | 1.38 | 2.40   | 2.71   |
| LNBU10TJK  | B    | 1/8" SWIFT | 5mm     | 0.22 | 0.85 | 1.61   | 1.83   | LNBS30TNK  | B    | 1/2" SWIFT | 12mm    | 0.35 | 1.38 | 2.40   | 2.71   |
| LFCU10TKK  | C    | 1/8" SWIFT | 6mm     | 0.22 | 0.89 | 1.61   | 1.83   | LFCS30TPK  | C    | 1/2" SWIFT | 14mm    | 0.35 | 1.39 | 2.40   | 2.71   |
| LFVU10TKK  | V    | 1/8" SWIFT | 6mm     | 0.22 | 0.89 | 1.61   | 1.83   | LFVS30TPK  | V    | 1/2" SWIFT | 14mm    | 0.35 | 1.39 | 2.40   | 2.71   |
| LNBU10TKK  | B    | 1/8" SWIFT | 6mm     | 0.22 | 0.89 | 1.61   | 1.83   | LNBS30TPK  | B    | 1/2" SWIFT | 14mm    | 0.35 | 1.39 | 2.40   | 2.71   |
| LFCU10TLK  | C    | 1/8" SWIFT | 8mm     | 0.22 | 0.94 | 1.61   | 1.83   |            |      |            |         |      |      |        |        |
| LFVU10TLK  | V    | 1/8" SWIFT | 8mm     | 0.22 | 0.94 | 1.61   | 1.83   |            |      |            |         |      |      |        |        |
| LNBU10TLK  | B    | 1/8" SWIFT | 8mm     | 0.22 | 0.94 | 1.61   | 1.83   |            |      |            |         |      |      |        |        |

Function Code C – Controlled Flow Out  
Function Code V – Controlled Flow In  
Function Code B – Controlled Flow Both Directions

# LFC • LFV • LNB SERIES

## Female NPTF Interface Knob Adjustment



| MODEL CODE | FUNC | A          | RT ANGLE THREAD F | L1   | L2 min | L2 max |
|------------|------|------------|-------------------|------|--------|--------|
| LFCU32NDK  | C    | 10-32UNC   | 10-32UNC          | 0.39 | 1.30   | 1.47   |
| LFVU32NDK  | V    | 10-32UNC   | 10-32UNC          | 0.39 | 1.30   | 1.47   |
| LNBU32NDK  | B    | 10-32UNC   | 10-32UNC          | 0.39 | 1.30   | 1.47   |
| LFCS10NAK  | C    | 1/8" SWIFT | 1/8" NPTF         | 0.65 | 1.61   | 1.83   |
| LFVS10NAK  | V    | 1/8" SWIFT | 1/8" NPTF         | 0.65 | 1.61   | 1.83   |
| LNBS10NAK  | B    | 1/8" SWIFT | 1/8" NPTF         | 0.65 | 1.61   | 1.83   |
| LFCS20NBK  | C    | 1/4" SWIFT | 1/4" NPTF         | 0.86 | 1.85   | 2.09   |
| LFVS20NBK  | V    | 1/4" SWIFT | 1/4" NPTF         | 0.86 | 1.85   | 2.09   |
| LNBS20NBK  | B    | 1/4" SWIFT | 1/4" NPTF         | 0.86 | 1.85   | 2.09   |
| LFCS25NCK  | C    | 3/8" SWIFT | 3/8" NPTF         | 1.04 | 2.21   | 2.48   |
| LFVS25NCK  | V    | 3/8" SWIFT | 3/8" NPTF         | 1.04 | 2.21   | 2.48   |
| LNBS25NCK  | B    | 3/8" SWIFT | 3/8" NPTF         | 1.04 | 2.21   | 2.48   |

Dimensions shown are in inches and are for reference only.

# LFC • LFM • LNB SERIES

## Tube Interface Screw Adjustment

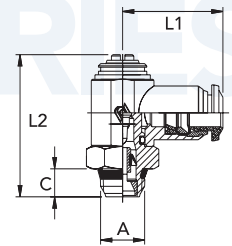
Inch • Metric Tube Valve  
With Screw Adjustment



Blue Collar  
Identifies  
Inch Tube Size



Black Collar  
Identifies  
Metric Tube Size

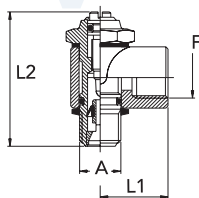


| MODEL CODE | FUNC | A          | TUBE OD | C    | L1   | L2   | MODEL CODE | FUNC | A          | TUBE OD | C    | L1   | L2   |
|------------|------|------------|---------|------|------|------|------------|------|------------|---------|------|------|------|
| LFCU32TAS  | C    | 10-32UNC   | 1/8"    | 0.16 | 0.75 | 0.95 | LFCS20TCS  | C    | 1/4" SWIFT | 1/4"    | 0.28 | 0.98 | 1.42 |
| LFVU32TAS  | V    | 10-32UNC   | 1/8"    | 0.16 | 0.75 | 0.95 | LFVS20TCS  | V    | 1/4" SWIFT | 1/4"    | 0.28 | 0.98 | 1.42 |
| LNBU32TAS  | B    | 10-32UNC   | 1/8"    | 0.16 | 0.75 | 0.95 | LNBS20TCS  | B    | 1/4" SWIFT | 1/4"    | 0.28 | 0.98 | 1.42 |
| LFCU32TBS  | C    | 10-32UNC   | 5/32"   | 0.16 | 0.75 | 0.95 | LFCS20TES  | C    | 1/4" SWIFT | 3/8"    | 0.29 | 1.18 | 1.61 |
| LFVU32TBS  | V    | 10-32UNC   | 5/32"   | 0.16 | 0.75 | 0.95 | LFVS20TES  | V    | 1/4" SWIFT | 3/8"    | 0.29 | 1.18 | 1.61 |
| LNBU32TBS  | B    | 10-32UNC   | 5/32"   | 0.16 | 0.75 | 0.95 | LNBS20TES  | B    | 1/4" SWIFT | 3/8"    | 0.29 | 1.18 | 1.61 |
| LFCM05TGS  | C    | M5         | 3mm     | 0.16 | 0.75 | 0.95 | LFCS20TJS  | C    | 1/4" SWIFT | 5mm     | 0.28 | 0.96 | 1.40 |
| LFVM05TGS  | V    | M5         | 3mm     | 0.16 | 0.75 | 0.95 | LFVS20TJS  | V    | 1/4" SWIFT | 5mm     | 0.28 | 0.96 | 1.40 |
| LNBM05TGS  | B    | M5         | 3mm     | 0.16 | 0.75 | 0.95 | LNBS20TJS  | B    | 1/4" SWIFT | 5mm     | 0.28 | 0.96 | 1.40 |
| LFCM05THS  | C    | M5         | 4mm     | 0.16 | 0.75 | 0.95 | LFCS20TKS  | C    | 1/4" SWIFT | 6mm     | 0.28 | 0.98 | 1.40 |
| LFVM05THS  | V    | M5         | 4mm     | 0.16 | 0.75 | 0.95 | LFVS20TKS  | V    | 1/4" SWIFT | 6mm     | 0.28 | 0.98 | 1.40 |
| LNBM05THS  | B    | M5         | 4mm     | 0.16 | 0.75 | 0.95 | LNBS20TKS  | B    | 1/4" SWIFT | 6mm     | 0.28 | 0.98 | 1.40 |
| LFCM05TJS  | C    | M5         | 5mm     | 0.16 | 0.79 | 0.95 | LFCS20TLS  | C    | 1/4" SWIFT | 8mm     | 0.28 | 1.02 | 1.40 |
| LFVM05TJS  | V    | M5         | 5mm     | 0.16 | 0.79 | 0.95 | LFVS20TLS  | V    | 1/4" SWIFT | 8mm     | 0.28 | 1.02 | 1.40 |
| LNBM05TJS  | B    | M5         | 5mm     | 0.16 | 0.79 | 0.95 | LNBS20TLS  | B    | 1/4" SWIFT | 8mm     | 0.28 | 1.02 | 1.40 |
| LFCM05TKS  | C    | M5         | 6mm     | 0.16 | 0.81 | 0.95 | LFCS25TES  | C    | 3/8" SWIFT | 3/8"    | 0.29 | 1.18 | 1.61 |
| LFVM05TKS  | V    | M5         | 6mm     | 0.16 | 0.81 | 0.95 | LFVS25TES  | V    | 3/8" SWIFT | 3/8"    | 0.29 | 1.18 | 1.61 |
| LNBM05TKS  | B    | M5         | 6mm     | 0.16 | 0.81 | 0.95 | LNBS25TES  | B    | 3/8" SWIFT | 3/8"    | 0.29 | 1.18 | 1.61 |
| LFCS10TAS  | C    | 1/8" SWIFT | 1/8"    | 0.22 | 0.83 | 1.18 | LFCS25TFS  | C    | 3/8" SWIFT | 1/2"    | 0.29 | 1.28 | 1.61 |
| LFVS10TAS  | V    | 1/8" SWIFT | 1/8"    | 0.22 | 0.83 | 1.18 | LFVS25TFS  | V    | 3/8" SWIFT | 1/2"    | 0.29 | 1.28 | 1.61 |
| LNBS10TAS  | B    | 1/8" SWIFT | 1/8"    | 0.22 | 0.83 | 1.18 | LNBS25TFS  | B    | 3/8" SWIFT | 1/2"    | 0.29 | 1.28 | 1.61 |
| LFCS10TBS  | C    | 1/8" SWIFT | 5/32"   | 0.22 | 0.83 | 1.18 | LFCS25TMS  | C    | 3/8" SWIFT | 10mm    | 0.29 | 1.20 | 1.61 |
| LFVS10TBS  | V    | 1/8" SWIFT | 5/32"   | 0.22 | 0.83 | 1.18 | LFVS25TMS  | V    | 3/8" SWIFT | 10mm    | 0.29 | 1.20 | 1.61 |
| LNBS10TBS  | B    | 1/8" SWIFT | 5/32"   | 0.22 | 0.83 | 1.18 | LNBS25TMS  | B    | 3/8" SWIFT | 10mm    | 0.29 | 1.20 | 1.61 |
| LFCS10TCS  | C    | 1/8" SWIFT | 1/4"    | 0.22 | 0.87 | 1.18 | LFCS25TNS  | C    | 3/8" SWIFT | 12mm    | 0.29 | 1.28 | 1.61 |
| LFVS10TCS  | V    | 1/8" SWIFT | 1/4"    | 0.22 | 0.87 | 1.18 | LFVS25TNS  | V    | 3/8" SWIFT | 12mm    | 0.29 | 1.28 | 1.61 |
| LNBS10TCS  | B    | 1/8" SWIFT | 1/4"    | 0.22 | 0.87 | 1.18 | LNBS25TNS  | B    | 3/8" SWIFT | 12mm    | 0.29 | 1.28 | 1.61 |
| LFCS10THS  | C    | 1/8" SWIFT | 4mm     | 0.22 | 0.83 | 1.18 | LFCS30TFS  | C    | 1/2" SWIFT | 1/2"    | 0.35 | 1.38 | 1.85 |
| LFVS10THS  | V    | 1/8" SWIFT | 4mm     | 0.22 | 0.83 | 1.18 | LFVS30TFS  | V    | 1/2" SWIFT | 1/2"    | 0.35 | 1.38 | 1.85 |
| LNBS10THS  | B    | 1/8" SWIFT | 4mm     | 0.22 | 0.83 | 1.18 | LNBS30TFS  | B    | 1/2" SWIFT | 1/2"    | 0.35 | 1.38 | 1.85 |
| LFCS10TJS  | C    | 1/8" SWIFT | 5mm     | 0.22 | 0.85 | 1.18 | LFCS30TNS  | C    | 1/2" SWIFT | 12mm    | 0.35 | 1.38 | 1.85 |
| LFVS10TJS  | V    | 1/8" SWIFT | 5mm     | 0.22 | 0.85 | 1.18 | LFVS30TNS  | V    | 1/2" SWIFT | 12mm    | 0.35 | 1.38 | 1.85 |
| LNBS10TJS  | B    | 1/8" SWIFT | 5mm     | 0.22 | 0.85 | 1.18 | LNBS30TNS  | B    | 1/2" SWIFT | 12mm    | 0.35 | 1.38 | 1.85 |
| LFCS10TKS  | C    | 1/8" SWIFT | 6mm     | 0.22 | 0.89 | 1.18 | LFCS30TPS  | C    | 1/2" SWIFT | 14mm    | 0.35 | 1.40 | 1.85 |
| LFVS10TKS  | V    | 1/8" SWIFT | 6mm     | 0.22 | 0.89 | 1.18 | LFVS30TPS  | V    | 1/2" SWIFT | 14mm    | 0.35 | 1.40 | 1.85 |
| LNBS10TKS  | B    | 1/8" SWIFT | 6mm     | 0.22 | 0.89 | 1.18 | LNBS30TPS  | B    | 1/2" SWIFT | 14mm    | 0.35 | 1.40 | 1.85 |
| LFCS10TLS  | C    | 1/8" SWIFT | 8mm     | 0.22 | 0.94 | 1.18 |            |      |            |         |      |      |      |
| LFVS10TLS  | V    | 1/8" SWIFT | 8mm     | 0.22 | 0.94 | 1.18 |            |      |            |         |      |      |      |
| LNBS10TLS  | B    | 1/8" SWIFT | 8mm     | 0.22 | 0.94 | 1.18 |            |      |            |         |      |      |      |

Function Code C – Controlled Flow Out  
Function Code V – Controlled Flow In  
Function Code B – Controlled Flow Both Directions

# LFC • LFM • LNB SERIES

## Female NPTF Interface Screw Adjustment



| MODEL CODE | FUNC | A          | RT ANGLE THREAD F | L1   | L2   |
|------------|------|------------|-------------------|------|------|
| LFCU32NDS  | C    | 10-32UNC   | 10-32UNC          | 0.39 | 0.95 |
| LFVU32NDS  | V    | 10-32UNC   | 10-32UNC          | 0.39 | 0.95 |
| LNBU32NDS  | B    | 10-32UNC   | 10-32UNC          | 0.39 | 0.95 |
| LFCS10NAS  | C    | 1/8" SWIFT | 1/8" NPTF         | 0.65 | 1.18 |
| LFVS10NAS  | V    | 1/8" SWIFT | 1/8" NPTF         | 0.65 | 1.18 |
| LNBS10NAS  | B    | 1/8" SWIFT | 1/8" NPTF         | 0.65 | 1.18 |
| LFCS20NBS  | C    | 1/4" SWIFT | 1/4" NPTF         | 0.86 | 1.42 |
| LFVS20NBS  | V    | 1/4" SWIFT | 1/4" NPTF         | 0.86 | 1.42 |
| LNBS20NBS  | B    | 1/4" SWIFT | 1/4" NPTF         | 0.86 | 1.42 |
| LFCS25NCS  | C    | 3/8" SWIFT | 3/8" NPTF         | 1.04 | 1.61 |
| LFVS25NCS  | V    | 3/8" SWIFT | 3/8" NPTF         | 1.04 | 1.61 |
| LNBS25NCS  | B    | 3/8" SWIFT | 3/8" NPTF         | 1.04 | 1.61 |

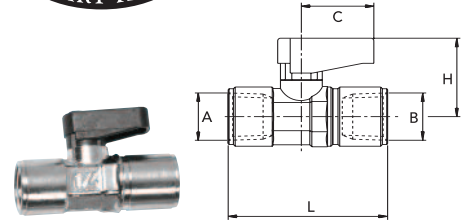
# MBV SERIES

## Miniature Ball Valves



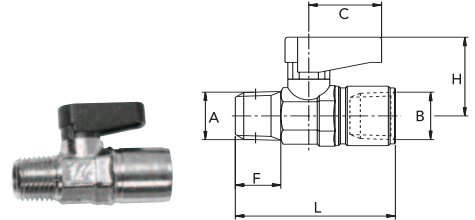
### Miniature Ball Valve Female NPTF

| MODEL CODE | A NPTF | B NPTF | ORIFICE | L    | C    | H    |
|------------|--------|--------|---------|------|------|------|
| MBVFF1010  | 1/8"   | 1/8"   | 0.22    | 1.48 | 0.75 | 0.83 |
| MBVFF2020  | 1/4"   | 1/4"   | 0.22    | 1.81 | 0.75 | 0.83 |
| MBVFF2525  | 3/8"   | 3/8"   | 0.32    | 1.91 | 0.75 | 0.87 |
| MBVFF3030  | 1/2"   | 1/2"   | 0.39    | 2.44 | 1.02 | 1.20 |



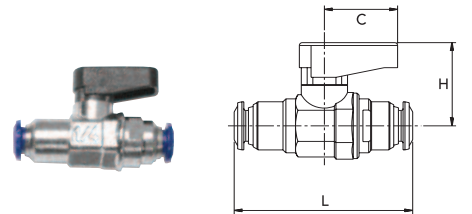
### Miniature Ball Valve Male NPTF • Female NPTF

| MODEL CODE | A NPTF | B NPTF | ORIFICE | F    | L    | C    | H    |
|------------|--------|--------|---------|------|------|------|------|
| MBVMF1010  | 1/8"   | 1/8"   | 0.22    | 0.55 | 1.45 | 0.75 | 0.83 |
| MBVMF2020  | 1/4"   | 1/4"   | 0.22    | 0.55 | 1.81 | 0.75 | 0.83 |
| MBVMF2525  | 3/8"   | 3/8"   | 0.32    | 0.71 | 1.87 | 0.75 | 0.87 |
| MBVMF3030  | 1/2"   | 1/2"   | 0.39    | 0.87 | 2.37 | 1.02 | 1.20 |



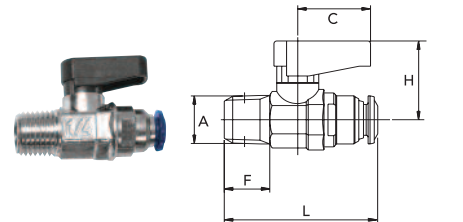
### Miniature Ball Valve Tube • Tube

| MODEL CODE | TUBE OD | TUBE OD | L    | C    | H    |
|------------|---------|---------|------|------|------|
| MBVT2TATA  | 1/8"    | 1/8"    | 1.67 | 0.75 | 0.83 |
| MBVT2TCTC  | 1/4"    | 1/4"    | 1.83 | 0.75 | 0.83 |
| MBVT2TETE  | 3/8"    | 3/8"    | 2.38 | 0.75 | 0.87 |



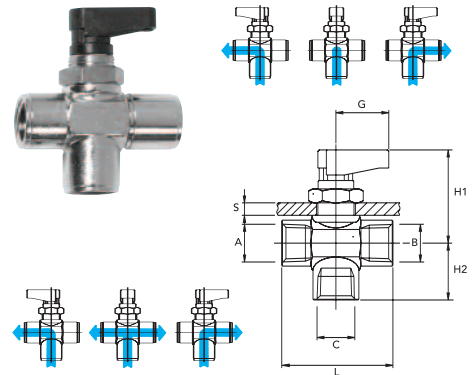
### Miniature Ball Valve Tube • Male NPTF

| MODEL CODE | A NPTF | TUBE OD | F    | L    | C    | H    |
|------------|--------|---------|------|------|------|------|
| MBVMT10TB  | 1/8"   | 5/32"   | 0.33 | 1.37 | 0.74 | 0.82 |
| MBVMT10TC  | 1/8"   | 1/4"    | 0.33 | 1.37 | 0.74 | 0.82 |
| MBVMT20TC  | 1/4"   | 1/4"    | 0.48 | 1.50 | 0.74 | 0.82 |
| MBVMT25TE  | 3/8"   | 3/8"    | 0.51 | 1.75 | 0.74 | 0.86 |



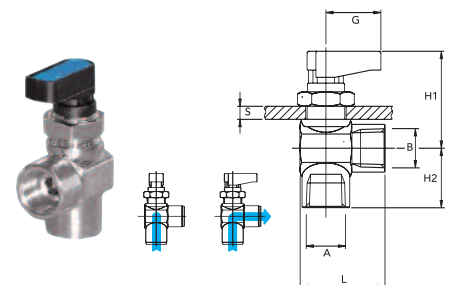
### Miniature Ball Valve Female NPTF Closed Center

| MODEL CODE | A NPTF | B NPTF | C NPTF | ORIFICE | L    | G    | H1   | H2   | S max |
|------------|--------|--------|--------|---------|------|------|------|------|-------|
| MBVF3C10   | 1/8"   | 1/8"   | 1/8"   | 0.22    | 1.48 | 0.75 | 1.32 | 0.65 | 0.17  |
| MBVF3C20   | 1/4"   | 1/4"   | 1/4"   | 0.22    | 1.81 | 0.75 | 1.32 | 0.83 | 0.17  |
| MBVF3C25   | 3/8"   | 3/8"   | 3/8"   | 0.28    | 1.91 | 0.75 | 1.38 | 0.87 | 0.17  |



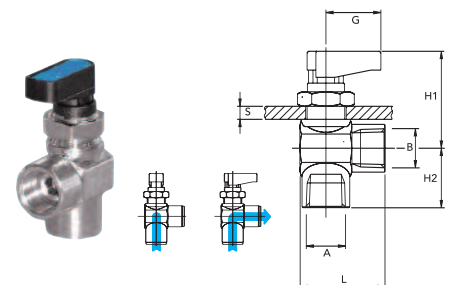
### Miniature Ball Valve Female NPTF Open Center

| MODEL CODE | A NPTF | B NPTF | C NPTF | ORIFICE | L    | G    | H1   | H2   | S max |
|------------|--------|--------|--------|---------|------|------|------|------|-------|
| MBVF3P10   | 1/8"   | 1/8"   | 1/8"   | 0.22    | 1.48 | 0.75 | 1.32 | 0.65 | 0.17  |
| MBVF3P20   | 1/4"   | 1/4"   | 1/4"   | 0.22    | 1.81 | 0.75 | 1.32 | 0.83 | 0.17  |
| MBVF3P25   | 3/8"   | 3/8"   | 3/8"   | 0.28    | 1.91 | 0.75 | 1.38 | 0.87 | 0.17  |



### Miniature Ball Valve Right Angle Female NPTF • Female NPTF

| MODEL CODE | A NPTF | B NPTF | ORIFICE | L    | G    | H1   | H2   | S max |
|------------|--------|--------|---------|------|------|------|------|-------|
| MBVFRA10   | 1/8"   | 1/8"   | 0.22    | 1.20 | 0.75 | 1.32 | 0.65 | 0.17  |
| MBVFRA20   | 1/4"   | 1/4"   | 0.22    | 1.36 | 0.75 | 1.32 | 0.83 | 0.17  |
| MBVFRA25   | 3/8"   | 3/8"   | 0.28    | 1.54 | 0.75 | 1.38 | 0.87 | 0.17  |



Please visit us at

**[www.deltrolfluid.com](http://www.deltrolfluid.com)**

for information on these other  
Deltrol product lines:

- High Performance Hydraulic Cartridge Valves
- Hydraulic Integrated Circuit Manifolds
- In-Line Flow Control, Needle, Check and Accessory Valves
- Custom Solutions for Your Fluid Power and Fluid Control Demands

Or **Contact Us** and **Request a Free Catalog.**



**DELTROL FLUID PRODUCTS**

*A Division of Deltrol Corp.*

3001 Grant Avenue  
Bellwood, IL 60104  
(708) 547-0500

**[www.deltrolfluid.com](http://www.deltrolfluid.com)**